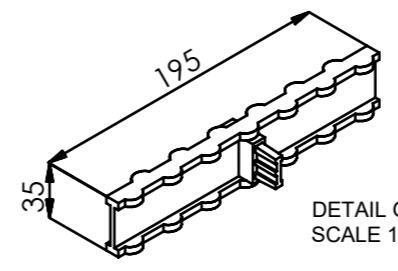
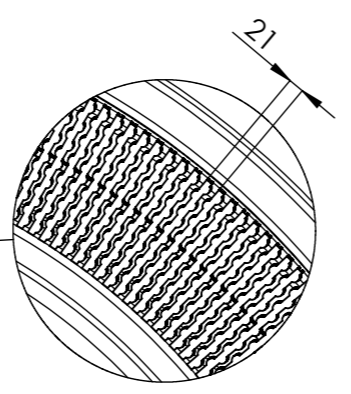
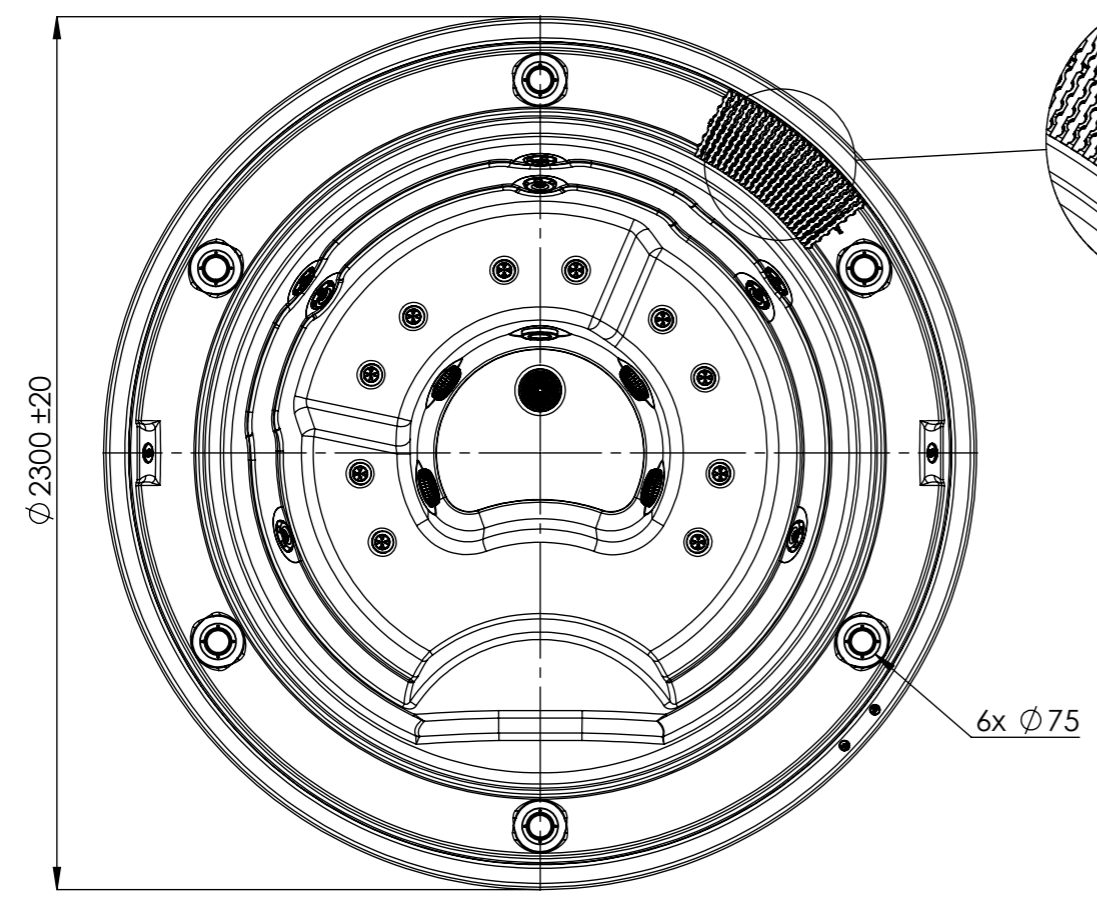
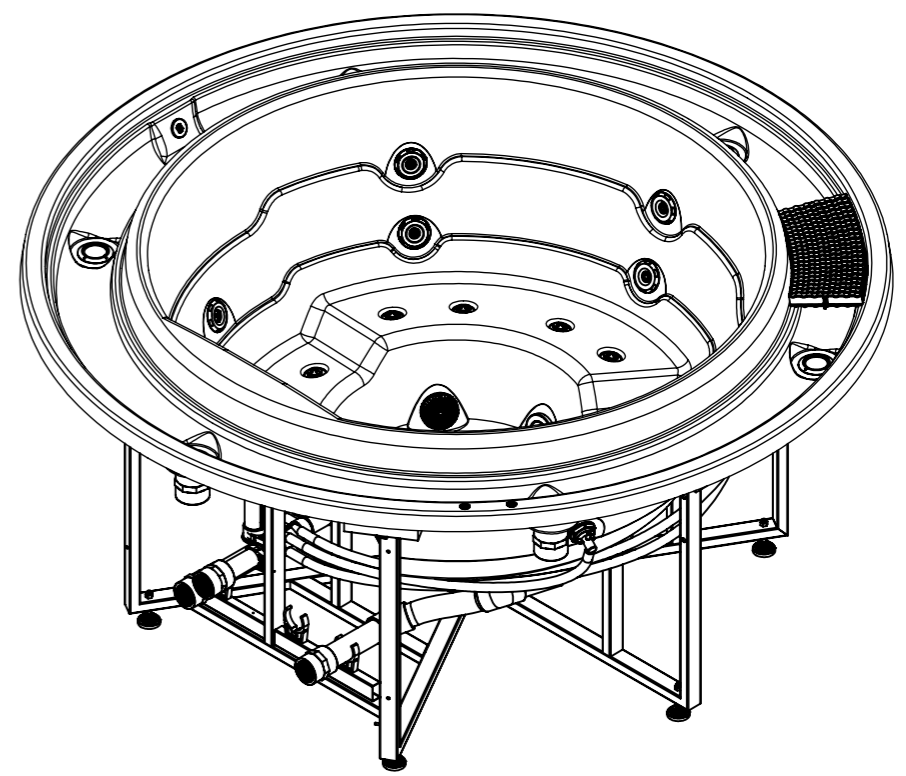
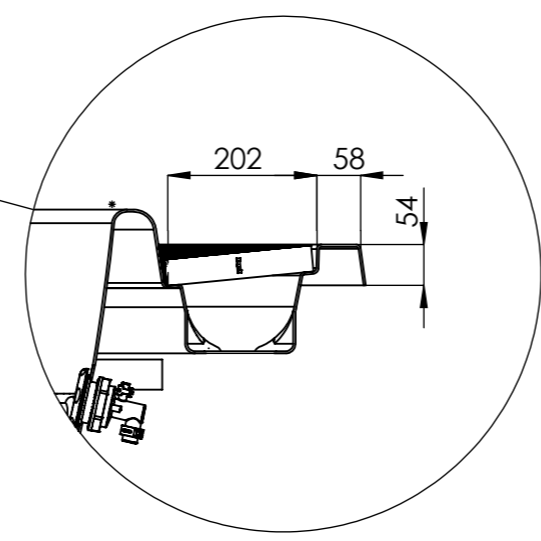
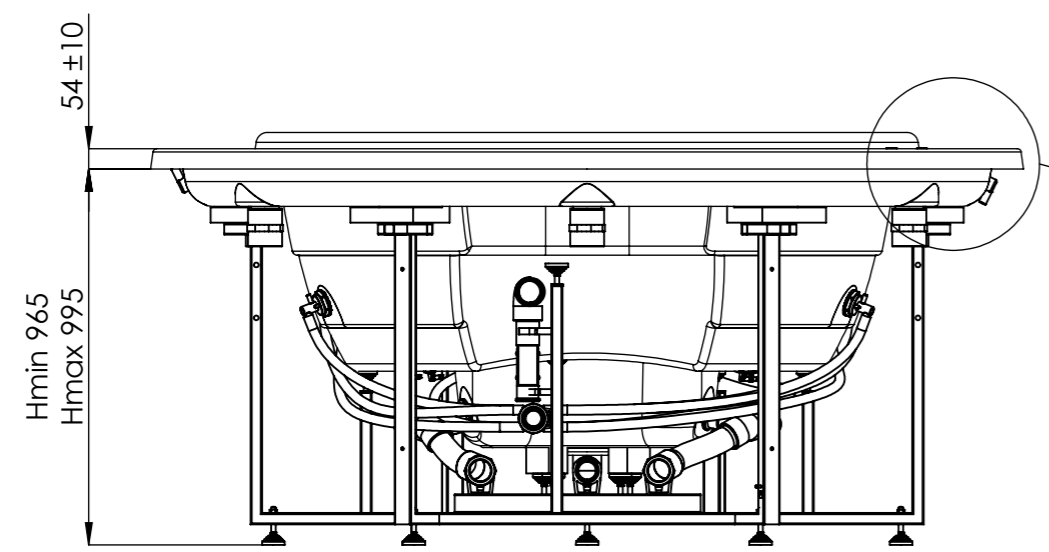


General specifications	
Spa weight (dry)	164 Kg
Spa weight (filled)	1284 Kg
Package dimension	1200x1420x2480mm
Package weight	279 Kg



DETAIL GRID
SCALE 1:4

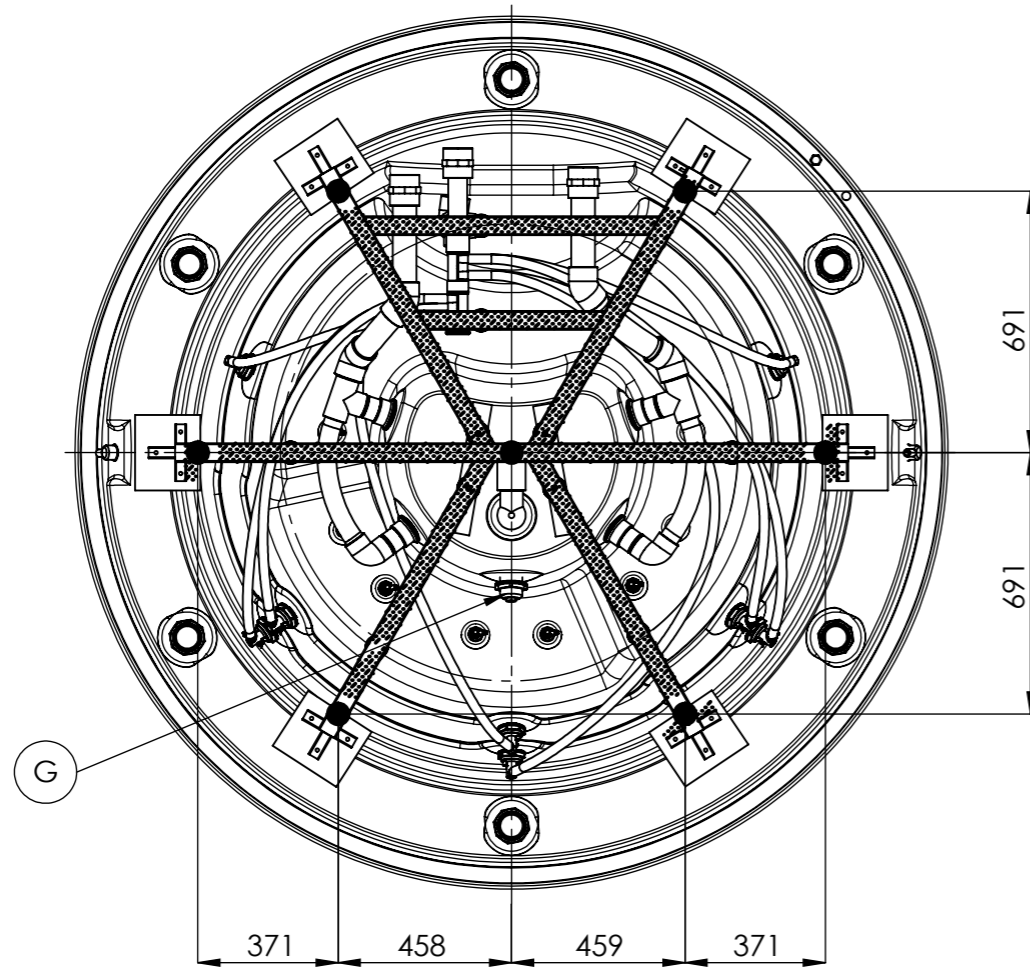
↑ ↑
HYDRAULIC CONNECTIONS ACCESS

According to our policy of continuous improvement, dimensions, features or components of this product can be partially or completely changed without prior notice. It's Customer responsibility to verify that this is the last version of the drawing

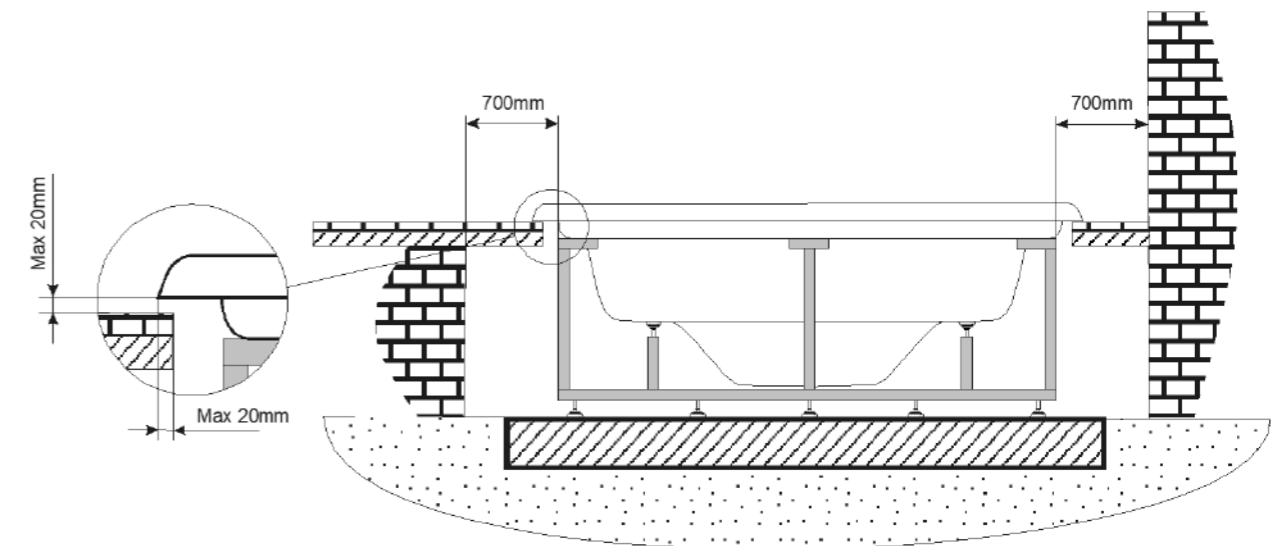
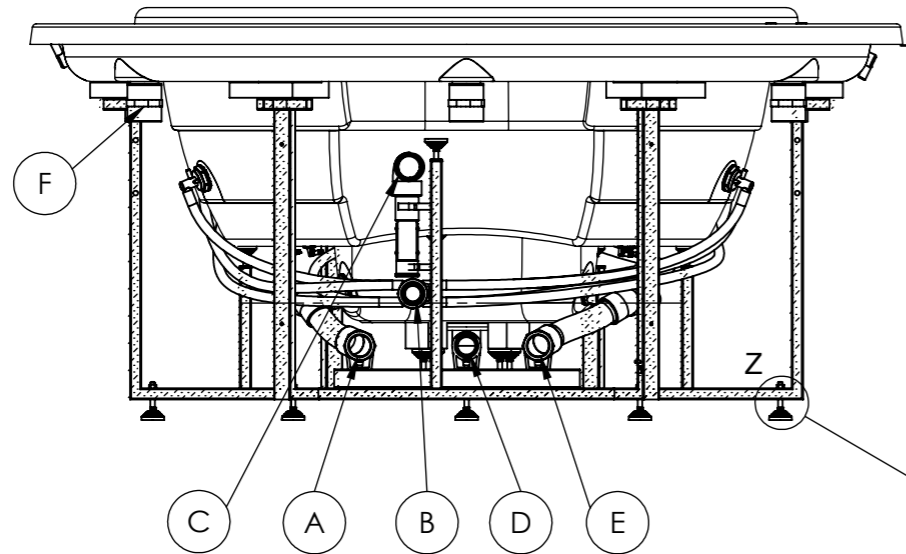
10	13/02/2020	A.Miquel	Spa geometry changed.
09	19/02/2016	I.Pozo	Change light and drain
08	12/06/14	I.Pozo	New spare template
07	26/05/14	I.Pozo	New templates
06	16/09/13	X.Codina	New templates
Change No.	Date	Name	Modification

Remarks			COMMERCIAL DRAWING	
Dimensions in mm. General Tolerances +/- 10mm				Part Number 45709
Drawn	25-05-09	M.Baraut		
Checked	25-05-09	A.Deu		
Scale 1:20	General Tolerance DIN 7168 ISO 2768g			
Sheet 1/2				

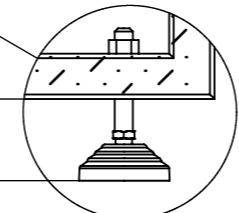
A	Suction-Water Massage Pump 1	2" BSP FEMALE THREAD
B	Return-Water Massage Pump 1	2" BSP FEMALE THREAD
C	Return-Air Massage	2" BSP FEMALE THREAD
D	Return-Filtration Pump (Bottom Drain)	2" BSP FEMALE THREAD
E	Suction-Filtration Pump	2" BSP FEMALE THREAD
F	Overflow Drains (6x)	Ø 75 mm SOLVENT SOCKET
G	Light (Halogen)	1 un.



WARNING:
It's essential to keep a minimum clearance access of **700mm** all around.
Minimum depth of spa hole **980 mm**.



MAX 60 mm
min 30 mm



DETAIL Z
SCALE 1:5

According to our policy of continuous improvement, dimensions, features or components of this product can be partially or completely changed without prior notice.
It's Customer responsibility to verify that this is the last version of the drawing

Change No.	Date	Name	Modification
10	13/02/2020	A.Miquel	Spa geometry changed
09	19/02/2016	I.Pozo	Change light and drain
08	12/06/14	I.Pozo	New spare template
07	26/05/14	I.Pozo	New templates
06	16/09/13	X.Codina	New templates

Remarks
Dimensions in mm. General Tolerances +/- 10mm

Drawn	25-05-09	M.Baraut	IBERSPA	Part Number 45709	Rev. 10	First Angle Projection
Checked	25-05-09	A.Deu				
Scale 1:20	General Tolerance DIN 7168 ISO 2768g					
Sheet 2/2						